

# UP/DOWN HAMMER

## the **STRONGEST** hammer on the market

RaMeC has managed to take over 40 year old hydraulic "Hand-brake" off

### AS A DEMOLITION HAMMER

- It has the **STRONGEST** impact energy in it's **weight-class**
- The **ONLY** demolition hammer with "ShockWave"-System, increasing the demolition productivity
- 20-30% better hydraulic **efficiency**, less hydraulic **oil heating** and almost **none hydraulic pressure peaks**



### AS A STEEL-PILE DRIVER/EXTRACTOR

- **ONLY** hammer capable of hitting **UP**
- Can finish the jobs which Sheet-Pile Driver has failed to do, **real money maker in those jobs**

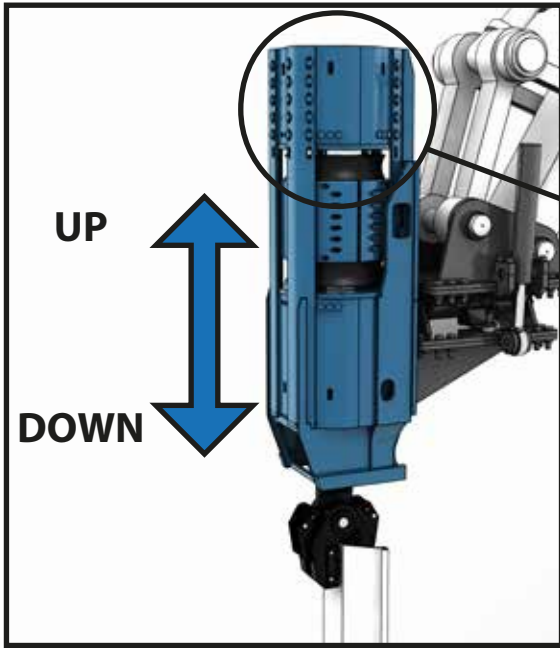


### AS A FOUNDATION HAMMER/EXTRACTOR

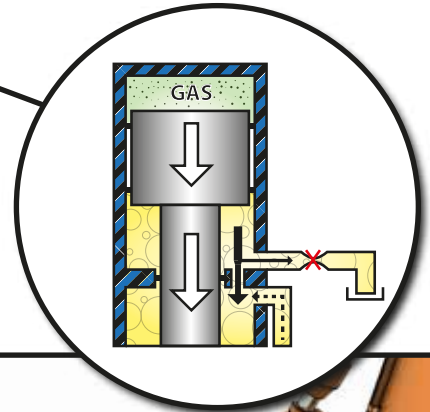
- RaMeC **extracts** the failed foundation piles for **REUSE**
- **Adjustable** blow-energy
- **Final hits** from the cabine
- **ONLY** demolition hammer able to do **final hits (PDA)**



# Sheet-Pile driving/extracting when vibrator fails



No hydraulic  
"Hand-brake"  
in RaMeC



# Foundation pile Final Hits (PDA)

